

Artemis duo LED

Wall Fixtures

Product Description**Wall fixtures for bathroom mirrors**

Artemis duo LED consists of two satin-frost 7 watts linear LED lamps to illuminate a bathroom mirror. The housing is laterally clad with polished stainless steel. Unlike the cold light generated by a neon tube the dimmable LEDs in the linear lamp give a warm, cosy light.

The real bonus of this wall fixture:

- ▶ Even if no wall outlet is available, the cable can be routed through the top or the bottom of the housing.
- ▶ A mounting set for a bathroom mirror with a size up to max. 0,8m²/8.6 square feet is optional available on request.
- ▶ The brightness of the linear LED lamps are continuously dimmable.

Technical Data**Supply voltage**

230 V +/- 10 %, 50Hz / 60 Hz

Power consumption

14 W (2 x 7 W)

Lamp holder

S14d

Light source

2 X LED (frosted) RADIUM RaLEDina®
RL-RAL1 60 DIM 7W/230/827/O/S14D

- ▶ Energy efficiency class G
- ▶ CCT 2700 K (warmwhite), EN 12464-1
- ▶ continuously dimmable with standard dimming controls
- ▶ 20.000 h lifetime (manufacturers information)
- ▶ mercury free

Rated lamp luminous flux

450 lm (per lamp)

Appliance class

Class II (lampholder)

Protection

Lampholder: IP 20 to DIN EN 60529

Enclosure material

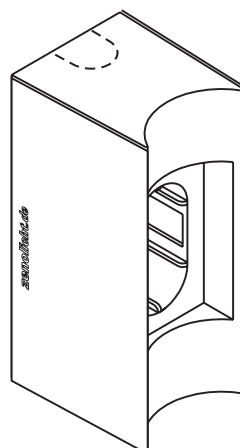
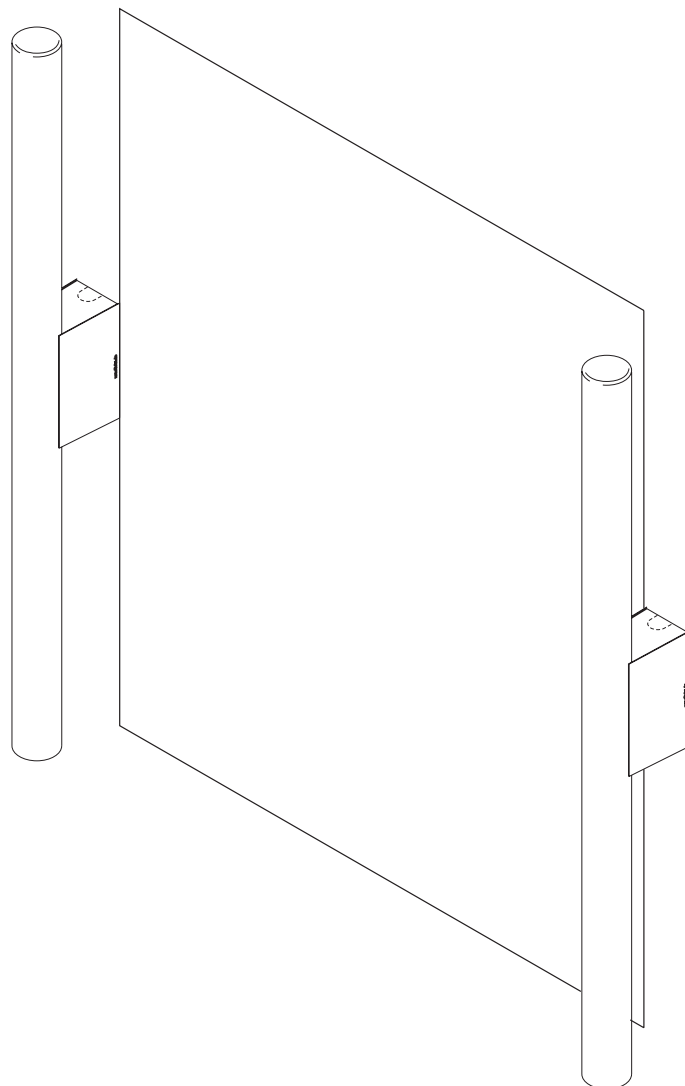
Housing: plastic PBT GF 30

Cladding: stainless steel 1.4301, AISI 304

Order and Enquiry Specification

Artemis duo LED (frosted), 054000

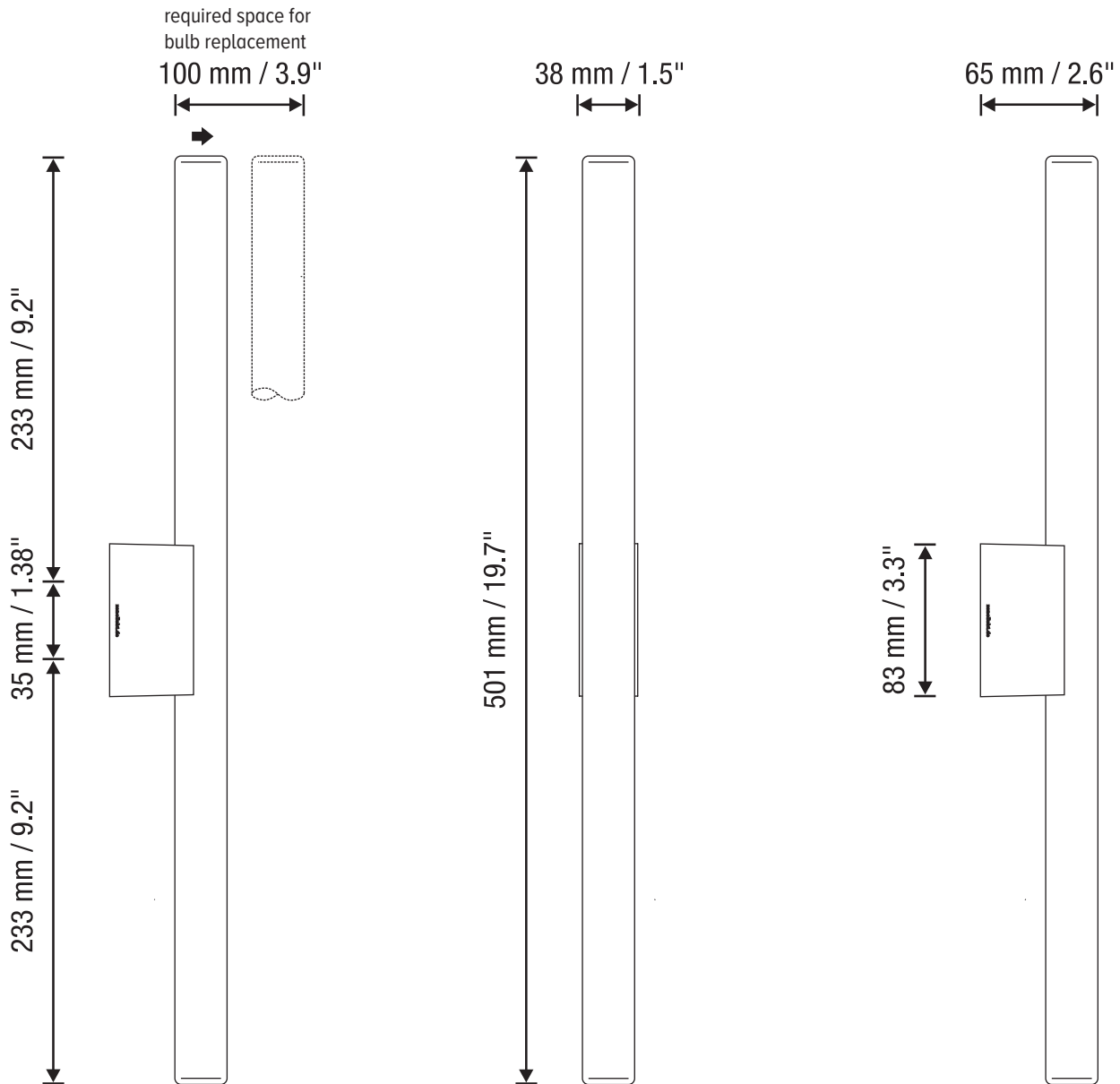
A bathroom mirror is not scope of delivery.



ARTEMIS duo LED

Wall Fixtures

Dimensions



zenolicht GmbH
 HRB 30200
 Nernststraße 63
 28357 Bremen
 Germany
 FON +49 (0) 421 522 92 11
 FAX +49 (0) 421 522 92 12
 MAIL info@zenolicht.de
 WEB www.zenolicht.de

