

Artemis duo LED

Mounting Instructions

Safety Note

The lamp holder ④ of this luminaire may only be installed and serviced by a qualified specialist (electrically skilled person). The light source may be changed by ordinary persons. Observe the danger warning!



Danger

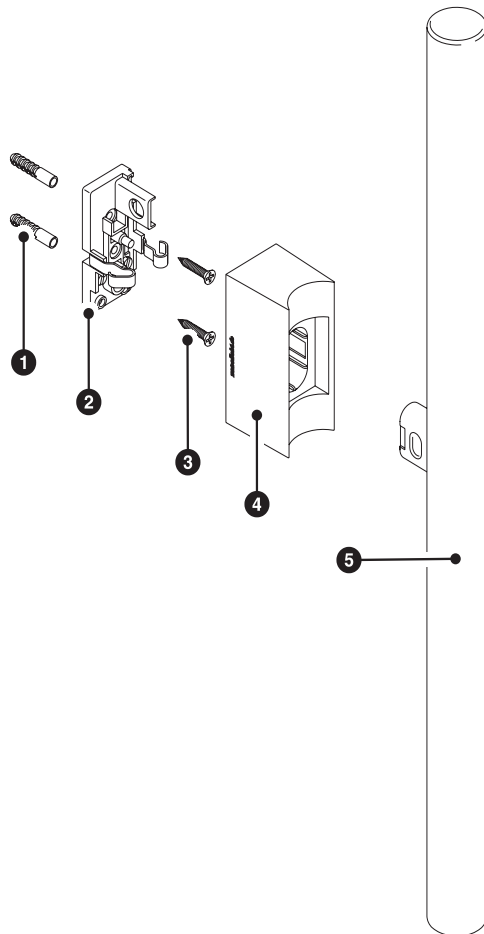
Danger from electric current!

The on-site power supply cables may be live during installation!
The contacts of the lamp holder may be live upon removal of the lamp!

Never install the lamp holder ④ yourself if you are not an electrically skilled person. The services of a qualified specialist (electrically skilled person) can be provided by your electrical contractor (electrician). If you are not able to find an electrically skilled person or electrician, contact the vendor or manufacturer of this luminaire.

This presents the danger of severe injuries and dead by electric shock!
Cut off power before fixing or removing the wall fixture and the lamp!

Scope of Delivery



- ① 2 X dowels S 6 ② clamping plate ③ 2 X screws 3,5 X 35mm
- ④ case with lamp holder S14d ⑤ 1 X linear lamp RADIUM RaLEDina[®]
- ⑥ mounting instructions DE, EN

Technical Data

Installation

indoor installation only

Mounting

vertical and horizontal mounting

Supply voltage

230 V AC +/- 10 %, 50 Hz / 60 Hz

Power consumption

14 W (2 x 7 W)

Lamp holder

S14d

Energy efficiency class

This luminaire contains a light source of energy efficiency class G

Light source

2 x LED linear lamp

RADIUM RaLEDina[®] RL-RAL1 60 DIM 7W/230/827/O/S14D

CCT 2700 K (warm white), EN 12464-1

dimnable

25.000 hours lifetime (specified by manufacturer)

Mercury free

Rated lamp luminous flux

450 lm (lamp frosted)

Appliance class

Class II

Protection

Wall fixture: IP 20 to DIN EN 60529

Enclosure material

Housing: plastic PBT GF 30

Cladding: stainless steel 1.4301, AISI 304



Danger

The supply cables may be live during installation!

The contacts of the lamp holder may be live upon removal of the lamp!

This presents the danger of severe injuries and dead by electric shock!

Cut off power before fixing or removing the wall fixture and the lamp!

A broken bulb can cause cutting injuries.

This presents the danger of severe cutting injuries on the hands, the arms, the face and the eyes!

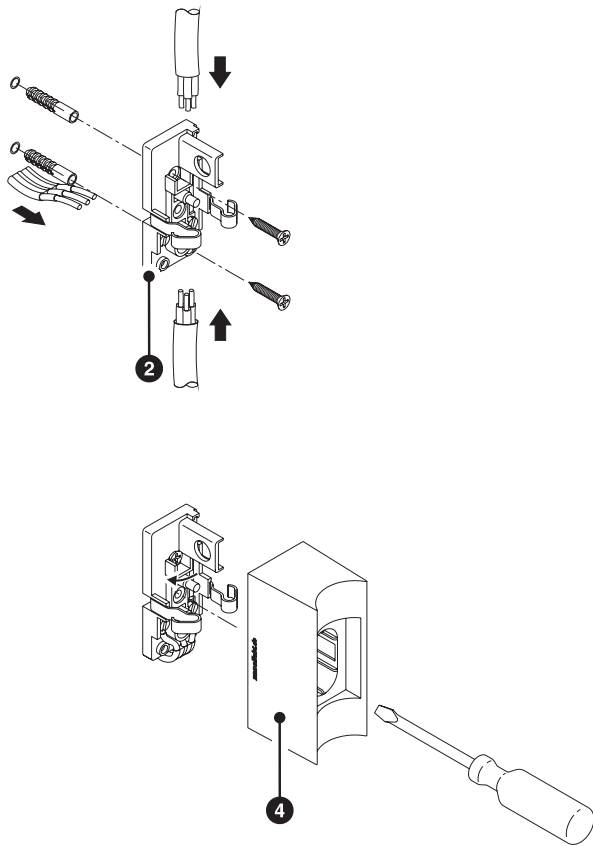
Only qualified staff shall remove a broken bulb.

For removal wear protective gloves, protective clothing and eye protection.

Type Plate

The type plate is located on the inside of the case.

Installation



Step 1

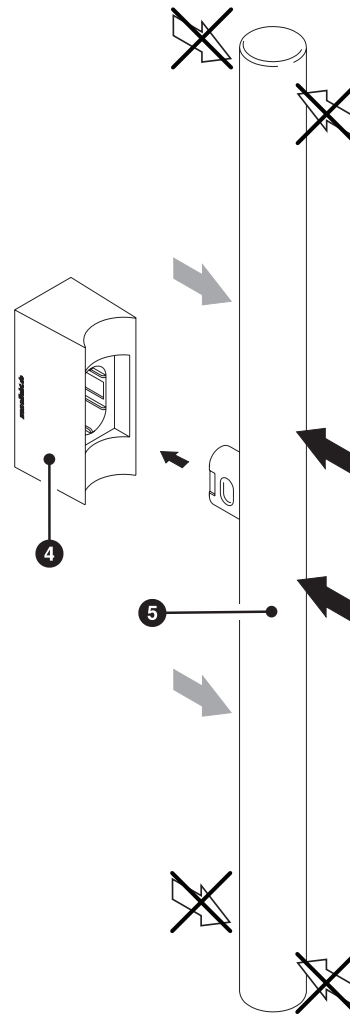
Fix clamping plate ② of lamp holder S14d ④ to the space provided. Observe all safety notes and hazard warnings! Connect to electrical mains.

Fix upper part of lamp holder ④ to the clamping plate ② by means of the internal screw.

Extra attention should be paid to the OSRAM-Mounting instructions „LAMPHOLDER for LINESTRA®-tubes“, document number 191 0939/A0 10/03.

LINESTRA® is a registered trademark of OSRAM GmbH, Marcel-Breuer-Straße 6, D-80807 München, Germany

Installation continued



Step 2

Press linear lamp ⑤ carefully into the lamp holder ④ only in the place marked for it. Take both hands to remove the lamp out of the lamp holder carefully.



Important Notes

Due to risk of fracture handle lamp with care!

Cleaning and Care

Dust is removed with a soft, non-linting cloth or sponge.

Disposal

Electrical equipment does not belong in household waste.

Deposit it free of charge at a return center.

Please refer to our document **Notes on Disposal**.



Manufacturer

zenolicht GmbH
HRB 30200
Nernststraße 63
28357 Bremen
Germany
FON +49 (0) 421 522 92 11
FAX +49 (0) 421 522 92 12
MAIL info@zenolight.com
WEB www.zenolight.com

Distributor